


TABLETOP EQUIPMENT (LAB EQUIPMENT & APPLIANCES) FASTENERS ELEVATION (MAX. 200 LBS.)

2

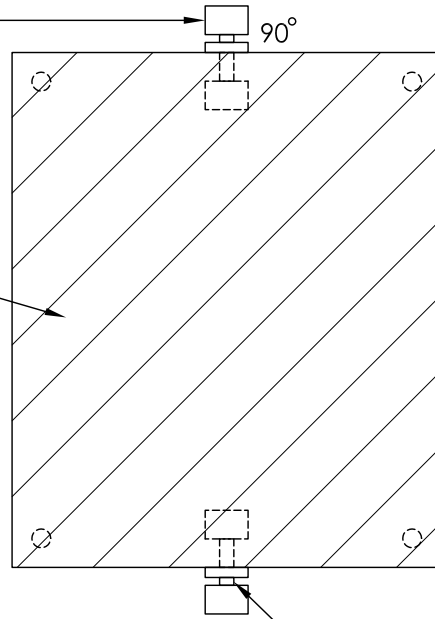
NOTE: THIS DETAIL IS TO VERIFY FASTENER LOCATIONS. ENGINEER OF RECORD SHOULD DESIGN AND APPROVE ANCHORAGE BASED ON SITE SPECIFIC CONDITIONS AND APPLICABLE CODES. VERIFY ADEQUATE ATTACHMENT OF TOP OF WALL TO STRUCTURE ABOVE.

<p>SAFE-T-PROOF DISASTER PREPAREDNESS COMPANY, INC.</p> <p>6805 Nancy Ridge Drive San Diego, CA 92121 858-554-1150 www.safe-t-proof.com</p>	<p>Engineer:</p>  <p>GSSI ENGINEERS 3969 First Avenue, Second Floor San Diego, CA 92103</p>	<p>Part Description:</p> <p>(4) 2"X3" STP FASTENERS (4) 3M ADHESIVE PADS (2) STP 8" STRAPS (4) ALCOHOL WIPE PADS</p>
<p>Date: Rev. 05 / 11 / 2012</p>	<p>Part Name: TABLETOP EQUIPMENT (LAB EQUIPMENT & APPLIANCES) FASTENERS (MAX. 200 LBS.)</p>	<p>Part Number: STP-MP-201-PY-02</p> <p>Color: WHITE, PUTTY, BROWN, OR BLACK</p>



(4) 2" x 3" STP FASTENERS
 (4) 3M ADHESIVE PADS

EQUIPMENT
 (MAX. 200 LBS.)




(2) STP 8" STRAPS

TABLETOP EQUIPMENT (LAB EQUIPMENT & APPLIANCES) FASTENERS PLAN (MAX. 200 LBS.)

2A

NOTE: THIS DETAIL IS TO VERIFY FASTENER LOCATIONS. ENGINEER OF RECORD SHOULD DESIGN AND APPROVE ANCHORAGE BASED ON SITE SPECIFIC CONDITIONS AND APPLICABLE CODES. VERIFY ADEQUATE ATTACHMENT OF TOP OF WALL TO STRUCTURE ABOVE.

<p>SAFE-T-PROOF DISASTER PREPAREDNESS COMPANY, INC.</p> <p>6805 Nancy Ridge Drive San Diego, CA 92121 858-554-1150 www.safe-t-proof.com</p>	<p>Engineer:</p>  <p>GSSI ENGINEERS 3969 First Avenue, Second Floor San Diego, CA 92103</p>	<p>Part Description:</p> <p>(4) 2"X3" STP FASTENERS (4) 3M ADHESIVE PADS (2) STP 8" STRAPS (4) ALCOHOL WIPE PADS</p>	
<p>Date: Rev. 05 / 11 / 2012</p>		<p>Part Name: TABLETOP EQUIPMENT (LAB EQUIPMENT & APPLIANCES) FASTENERS (MAX. 200 LBS.)</p>	<p>Part Number: STP-MP-201-PY-02</p> <p>Color: WHITE, PUTTY, BROWN, OR BLACK</p>